

Quebec's first residential grid-tie system with battery back-up installed

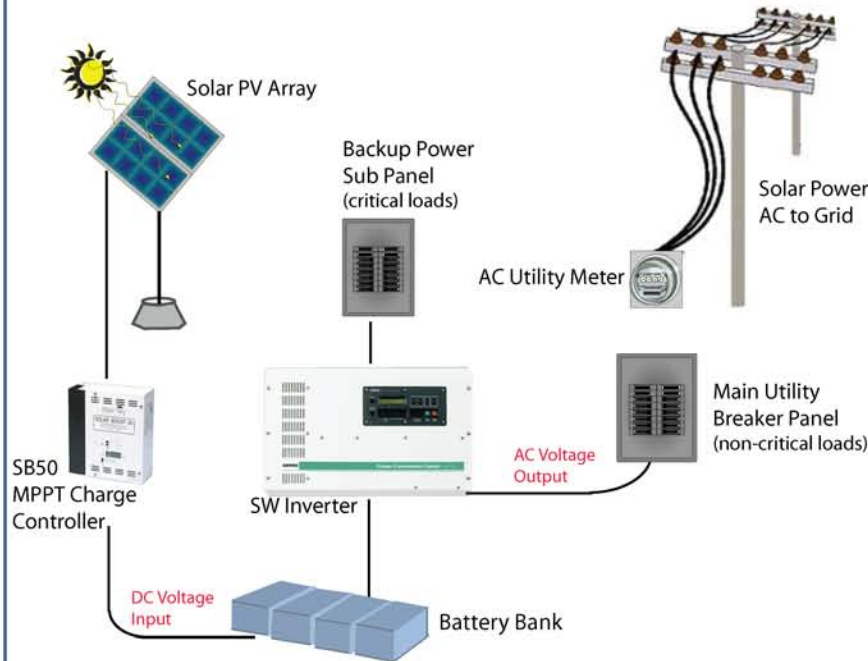
Press Release

Montreal, September 18, 2007— Matrix Energy is pleased to announce the installation and commissioning of Quebec's first ever grid-tie solar electric system complete with battery back-up on a residential home.

This 1 kWp system with 24 kWh of battery back-up was recently installed following the decision, in late 2006, by Hydro Quebec to allow homeowners the ability to net meter. Says Brian Wilkinson, President of Matrix Energy and proud owner of this grid-tie system, "I've been waiting for more than twenty years for the permission to feed power back to the grid. We still have a long way to go and much work to do in this industry, particularly in Quebec, and this demonstration shows just how practical, easy, simple and safe solar energy is to use. This grid-tie system will generate about 1,200 kWh annually and the 24 kWh sealed battery bank can provide up to four or five days of autonomy for the emergency loads connected to the system. The best part is, it's silent and the sale of energy or switching to back-up power is automatic."



Grid-tied photovoltaic systems can be easily replicated across other non-residential and residential buildings across Canada. Over its useful lifetime of more than 40 years, one 100 watt solar module operating in Canada will produce more than 10 MWh of power.



Matrix is committed to deliver high quality products and services to suit client needs while making solid contributions to reducing Greenhouse Gas emissions. All applications are environmentally friendly and energy efficient.



About Matrix Energy Inc: Matrix Energy Inc. works with building professionals, designers, architects and engineers in designing, specifying, and supplying different products for the sustainable use of energy.

Matrix provides solar integrated electric systems for new and existing buildings to help reduce total dependency on conventional energy sources.