



*Grid-Tied PV Inverters*

**PVI 13KW PVI 15KW**

*a breakthrough in price and quality*



296 Labrosse Avenue, Pointe-Claire, QC, Canada, H9R 5L8  
Tel: (514) 630-5630 Toll Free: 1-866-630-5630 Fax: (514) 426-9123  
info@matrixenergy.ca www.matrixenergy.ca

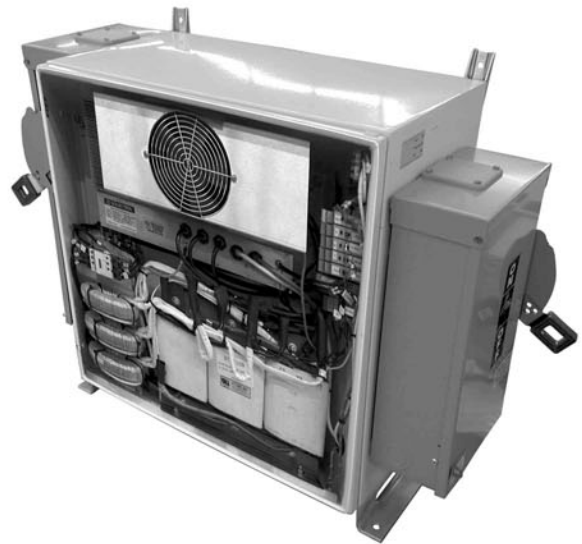
Solectria introduces the PVI 13KW and PVI 15KW inverter:  
exceptional quality and efficiency at an extraordinary price.



**Product Information**

## OVERVIEW: INTEGRATED PV INVERTER

The Solectria Renewables PVI 13KW and PVI 15KW are rugged, DSP-controlled PV inverters for grid connected commercial, industrial and utility 3-phase PV systems. The core of the inverter, Solectria Renewables' proven DMGI 245 distributed generation inverter, uses state of the art control techniques and devices including space vector PWM, a precision MPT algorithm, and low-loss rench-gate IGBTs. With inverter power electronics efficiency up to 97% (95.8% including the transformer) and fully integrated packaging, the PVI 13KW and PVI 15KW set a new industry standard for efficiency, ease of installation, and reliability.



## APPLICATIONS

- 10-15kW, 60Hz, 208, 240 or 480VAC, 3-phase, grid-tied commercial PV systems (up to 15-18kW DC-STC).
- Multiple inverters can be used together for 20-30kW, 30-45kW, 40-60kW (AC) or larger PV systems. Ideal for 20-35kW, 36-54kW, 48-72kW DC STC arrays.
- Designed for mounting as desired, indoor/outdoor, driving rain and drifting snow: rooftop/ground/wall.
- Versions for other renewable and distributed generation applications available.

## FEATURES & OPTIONS

- Fully integrated design includes transformer, filters, AC & DC disconnects, DC combiner-fuses.
- Premium overall efficiency.
- Simple set-up and connections (connect DC from PV strings and 3-phase AC connections).
- Precision DSP-controlled Maximum Power Tracking Algorithm.
- High-reliability design, based on 20 years of power electronics products, includes sealed power and signal control electronics, high-efficiency magnetics.
- No night-time standby losses.
- Optional 6-7 fuse PV combiner in DC disconnect.
- Optional "Blizzard-Proof", gasketed disconnects, recommended for rooftop or other severe locations.
- Optional forward facing disconnects option (version).
- Optional positive grounding version.

## CONNECTIVITY

- RS232 port and software for diagnostics and data capture with PC.
- RS485 port for communication with multiple inverters in larger system and long communication lines.
- SolrenView or Fat Spaniel Inverter-Direct Internet, and/or revenue-grade monitoring options available. Also compatible with Energy Recommerce, Draker and others.

## SAFETY FEATURES

- Electronic temperature protection, intelligent cooling
- DC ground-fault detection and interrupt.
- Current and voltage limit protections.
- Standards-compliance: Listed to UL 1741 (IEEE Std 1547) and tested to NY SIR Surge Test Requirements (IEEE 62.41). Listed on CEC's eligible equipment list.

## SPECIFICATIONS

	PVI 13KW	PVI 15KW
<b>Output</b>		
Maximum Cont. Power	13.2 kW AC	15 kW AC
Power Factor	Unity	
Voltage (L-L), -12%, +10%	208/240/480 VAC, 3-Ph	
Maximum Cont. Current (AC)	37/32/16 A	42/36/18 A
Current Distortion	< 5% THD, Nom Power	
Frequency, ±1%	60 Hz	
Inverter peak Efficiency <sup>1</sup>	95.8%	95.8%
<b>Input</b>		
Array Configuration: Monopole, negative grounded (pos gnd opt)		
Max V <sub>OC</sub> <sup>2</sup>	475 VDC	
Maximum DC Current	60 A	68 A
MPT Voltage Range	225-380 VDC	
CEC Full Power Voltage Range	235-380 VDC	
<b>Protection <sup>3</sup></b>		
AC Grid-Connection (Standards Compliance: See "Safety Features")	Over/Under Voltage Over Current Over/Under Freq.	
AC Disconnect (Integral)	NEMA 3R, w/fuses	
DC Combiner-Fuse Enclosure (Optional <sup>4</sup> )	10A/15A fuses available, 6-7 pole, NEMA 3R, TVSS	
DC Disconnect (Integral)	Break load rated, NEMA 3R	
<b>Environmental</b>		
Ambient Temperature	-25 to 50 deg C	
Cooling	Forced Convection	
Enclosure	NEMA 3R	
Enclosure-electronics	Sealed, IP-62	
<b>General</b>		
Weight	376 lb <sup>1</sup> (171 kg)	398 lb <sup>1</sup> (181 kg)
Dimensions <sup>5</sup> (inches [mm])	34.5[876] · 26[660] · 13.6[345]	
Warranty	5 years (10 & 15 extended available)	
Communications, Optional Data Acquisition	RS232, RS485, optional SolrenView or Fat Spaniel, also compatible with others	

<sup>1</sup> Fully Integrated Package: Includes transformer, filters, fan, AC & DC disconnects, and combiner-fuse box

<sup>2</sup> Max Open circuit voltage (V<sub>OC</sub>) of PV array = 1.25 × V<sub>OC-rated</sub> (per NEC 690-7)

<sup>3</sup> Complies with grid connection and safety standards ("Safety Features")

<sup>4</sup> Integrated into inverter package if selected

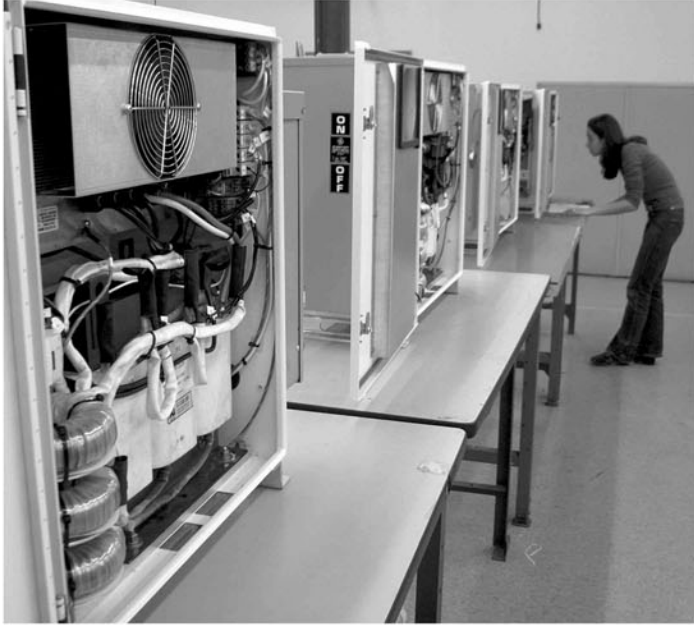
<sup>5</sup> Forward-facing disconnect option width is 47" (1194 mm)

# PVI 13KW

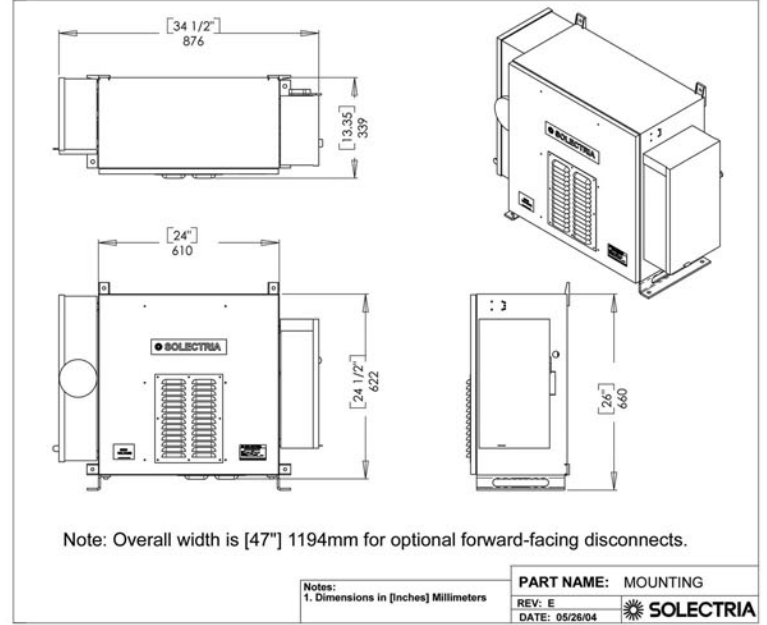
# PVI 15KW

## Grid-Tied PV Inverters

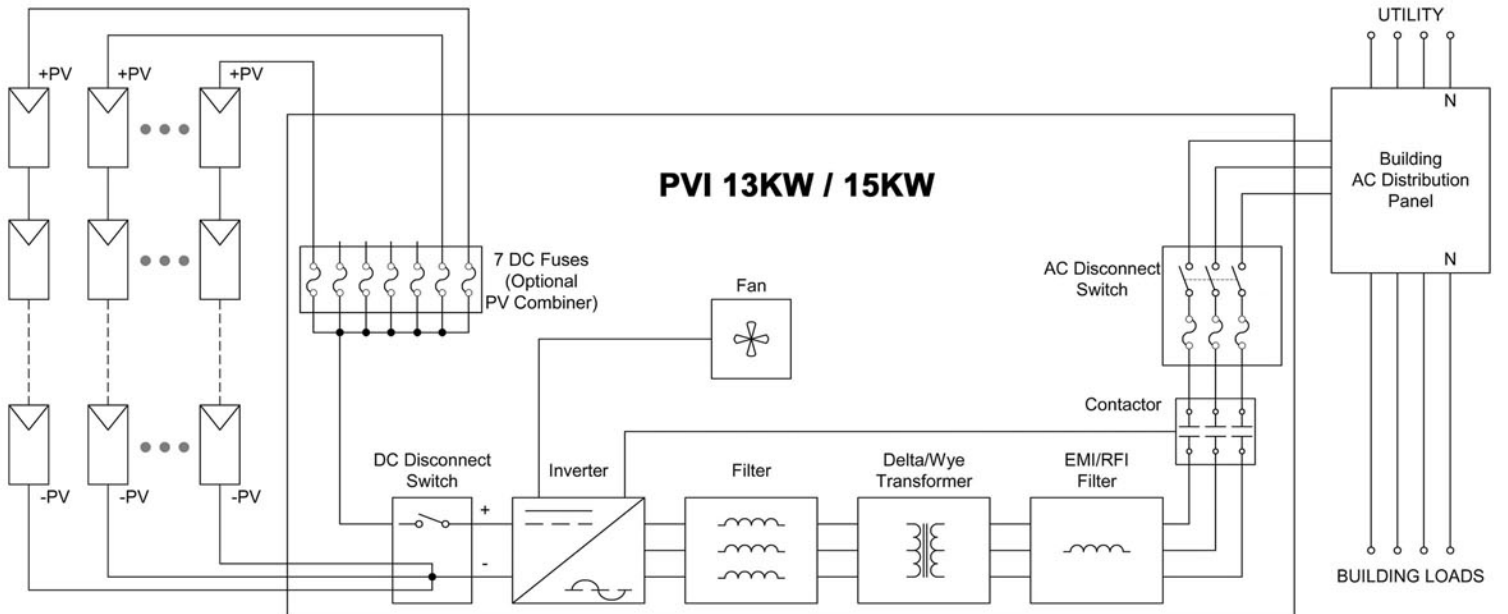
### PRE-TEST INSPECTION



### DIMENSIONS



### SYSTEM BLOCK DIAGRAM



Note: Ground Fault Detection/Interrupt not shown in this diagram.



# proven history, sustainable future

Solectria Renewables designs and manufactures power electronics for renewable power generation systems. Feature-packed and highly integrated, the products lead the industry in installation ease and total value. At the heart of Solectria's products are its reliable and efficient core inverters, which have been proven over the past 20 years in the extremely harsh environment of truck, bus and military transportation applications. Solectria Renewables is run by the renowned MIT engineers who founded the Solectria brand in 1989. With a customer-focused team, high quality suppliers and a best practices manufacturing process, Solectria is committed to your success.



Lawrence, Massachusetts  
USA

Ph: 978.683.9700 (MA)

Ph: 562.608.8913 (CA)

Fax: 978.683.9702

[inverters@solren.com](mailto:inverters@solren.com)

[www.solren.com](http://www.solren.com)



Background & Left: 13.8 kW system at Evergreen Solar's mfg. facility    Center: 35 kW NexAmp installation at Ebsco Publishing  
Right: 120 kW system (4 of 8 inverters) by Chico Elec/Solar Design Assoc, AT&T Park, Giant's baseball stadium, San Fran, CA