



**Length** 41.65 in (1058 mm)  
**Width** 26.77 in (680 mm)  
**Height** 1.34 in (34 mm)  
**Frame** Aluminum  
**Weight** 8.4 kg



# Sunmodule®

## SW 70/75/80/85/90 poly RIA

### World class quality

SolarWorld produces the best products with the highest quality, manufactured according to German and US quality standards in fully-automated ISO 9001 and 14001 certified factories.

### Outstanding products

SolarWorld's modules were assessed by the ÖKO-TEST consumer magazine as "excellent".

### An experienced industry leader

With over 30 years of experience in off-grid solar applications – SolarWorld delivers top products and technical experience at the highest levels. Our modules are installed in over 100,000 Telecom/Industrial systems worldwide. Nobody else comes close.



# Sunmodule®

## SW 70/75/80/85/90 poly RIA

SW-01-5055US 07-2011

### PERFORMANCE UNDER STANDARD TEST CONDITIONS (STC)\*

		SW 70	SW 75	SW 80	SW 85	SW 90
Maximum power	$P_{max}$	70 Wp	75 Wp	80 Wp	85 Wp	90 Wp
Open circuit voltage	$U_{oc}$	21.3 V	21.5 V	21.7 V	21.9 V	22.1 V
Maximum power point voltage	$U_{mpp}$	16.5 V	16.8 V	17.1 V	17.4 V	17.7 V
Short circuit current	$I_{sc}$	5.30 A	5.34 A	5.38 A	5.42 A	5.46 A
Maximum power point current	$I_{mpp}$	4.68 A	4.78 A	4.88 A	4.98 A	5.08 A

\*STC: 1000W/m<sup>2</sup>, 25°C, AM 1.5

### PERFORMANCE AT 800 W/m<sup>2</sup>, NOCT, AM 1.5

		SW 70	SW 75	SW 80	SW 85	SW 90
Maximum power	$P_{max}$	54.8 Wp	57.2 Wp	59.7 Wp	62.3 Wp	64.9 Wp
Open circuit voltage	$U_{oc}$	18.9 V	19.1 V	19.4 V	19.7 V	19.9 V
Maximum power point voltage	$U_{mpp}$	14.6 V	15.0 V	15.3 V	15.6 V	16.0 V
Short circuit current	$I_{sc}$	4.27 A	4.30 A	4.33 A	4.37 A	4.40 A
Maximum power point current	$I_{mpp}$	3.74 A	3.82 A	3.90 A	3.98 A	4.06 A

Minor reduction in efficiency under partial load conditions at 25°C: at 200W/m<sup>2</sup>, 95% (+/-3%) of the STC efficiency (1000 W/m<sup>2</sup>) is achieved.

### COMPONENT MATERIALS

Cells per module	36
Cell type	Poly crystalline
Cell dimensions	4.09 in x 6.14 in (104 mm x 156 mm)
Front	tempered glass (EN 12150)

### SYSTEM INTEGRATION PARAMETERS

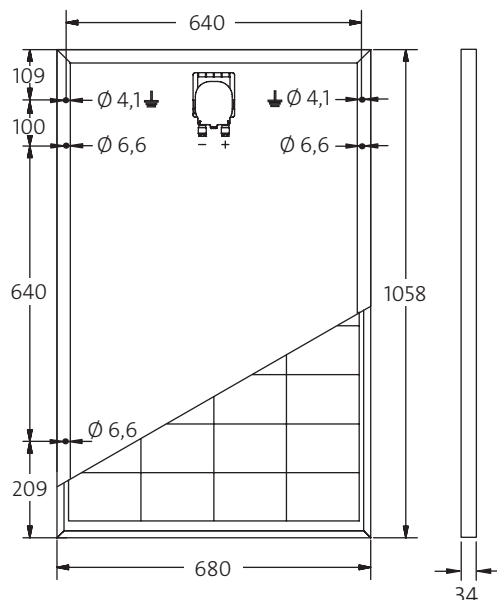
Maximum system voltage SC II	1000 V
Maximum reverse current	12 A
Increased snowload acc. to IEC 61215	5.4 kN/m <sup>2</sup>
Number of bypass diodes	2

### THERMAL CHARACTERISTICS

NOCT	46 °C
TC $I_{sc}$	0.034 %/K
TC $U_{oc}$	-0.34 %/K
TC $P_{mpp}$	-0.48 %/K

### ADDITIONAL DATA

Measuring tolerance	+/- 5 %
J-Box	IP65
Maximum outer cable diameter	0.31 in (7.8 mm)
Maximum wire cross section	4 mm <sup>2</sup>



- Qualified, IEC 61215
- Safety tested, IEC 61730
- Periodic Inspection



ÉNERGIE  
**MATRIX**  
ENERGY



296 Labrosse Avenue, Pointe-Claire, QC, Canada, H9R 5L8  
Tel: (514) 630-5630 Toll Free: 1-866-630-5630 Fax: (514) 426-9123  
info@matrixenergy.ca www.matrixenergy.ca

SolarWorld AG reserves the right to make specification changes without notice. This data sheet complies with the requirements of EN 50380.