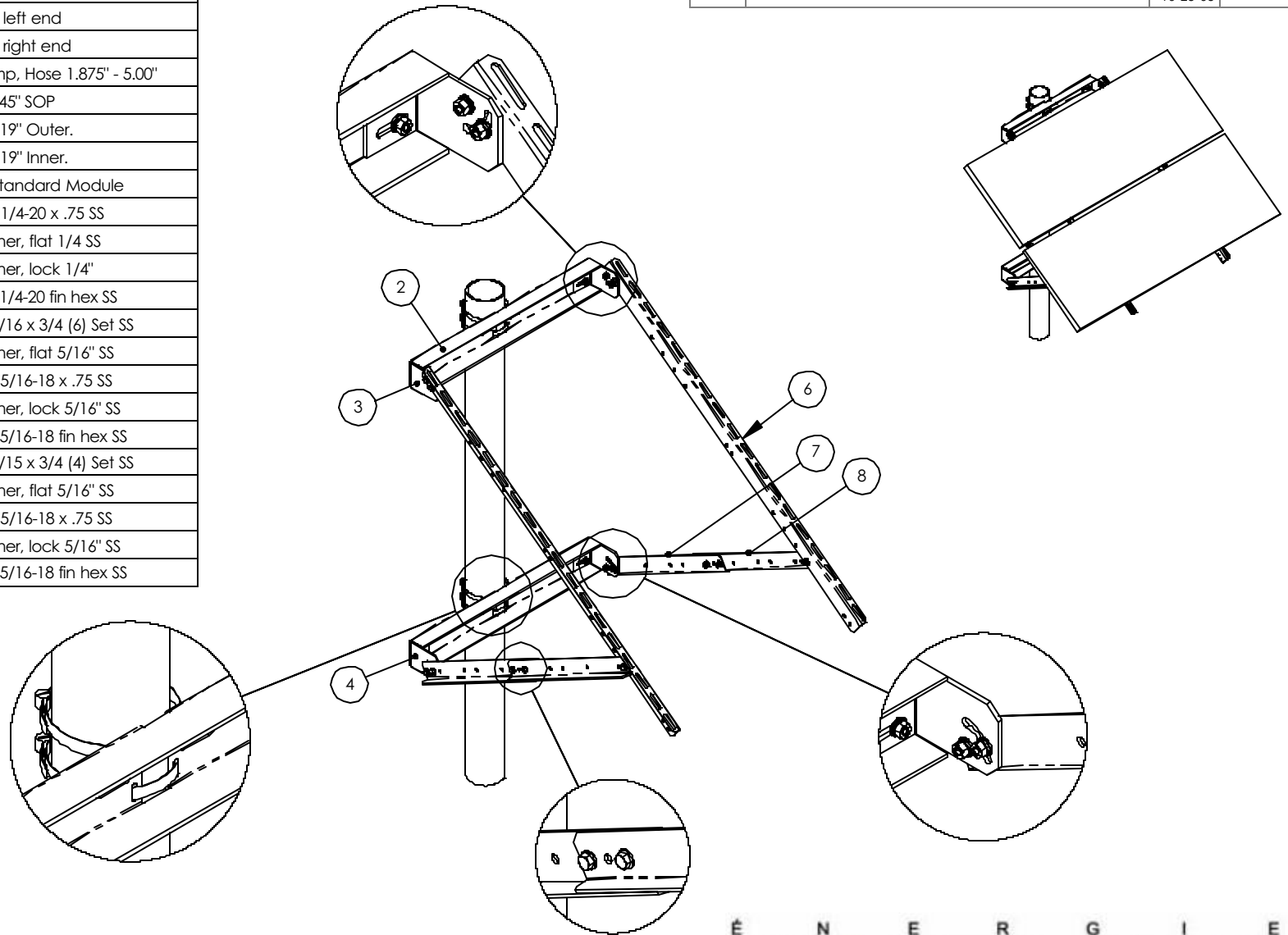


ITEM NO.	QTY.	PART NO.	DESCRIPTION
2	2	51-3517-200	Bucket, 25.5" SOP
3	2	51-3517-243	Clip, left end
4	2	51-3517-244	Clip, right end
5	4	27-5000-010	Clamp, Hose 1.875" - 5.00"
6	2	51-0545-002	Rail, 45" SOP
7	2	51-0519-000	Rail, 19" Outer.
8	2	51-0519-001	Rail, 19" Inner.
9	2	29-5000-000	Kit, Standard Module
	4	23-2520-050	Bolt, 1/4-20 x .75 SS
	4	25-2502-000	Washer, flat 1/4 SS
	4	25-2501-000	Washer, lock 1/4"
	4	24-2520-440	Nut, 1/4-20 fin hex SS
10	3	29-5006-001	Kit, 5/16 x 3/4 (6) Set SS
	12	25-3102-000	Washer, flat 5/16" SS
	6	23-3118-021	Bolt, 5/16-18 x .75 SS
	6	25-3101-000	Washer, lock 5/16" SS
	6	24-3118-440	Nut, 5/16-18 fin hex SS
11	1	29-5005-000	Kit, 5/15 x 3/4 (4) Set SS
	8	25-3102-000	Washer, flat 5/16" SS
	4	23-3118-021	Bolt, 5/16-18 x .75 SS
	4	25-3101-000	Washer, lock 5/16" SS
	4	24-3118-440	Nut, 5/16-18 fin hex SS

REVISIONS			
REV.	DESCRIPTION	DATE	APPROVED
A	Release for Reference	10-25-05	D.E.Dell'Ara



E N E R G I E  
**MATRIX**  
E N E R G Y

296 Labrosse Ave., Pointe-Claire, QC, H9R 5L8  
Toll Free 1 866 630-5630 [www.matrixenergy.ca](http://www.matrixenergy.ca)

PROPRIETARY AND CONFIDENTIAL  
THE INFORMATION CONTAINED IN THIS DRAWING IS THE SOLE PROPERTY OF 2 SEAS METALWORKS.  
ANY REPRODUCTION IN PART OR AS A WHOLE WITHOUT THE WRITTEN PERMISSION OF 2 SEAS METALWORKS IS PROHIBITED.

DO NOT SCALE DRAWING