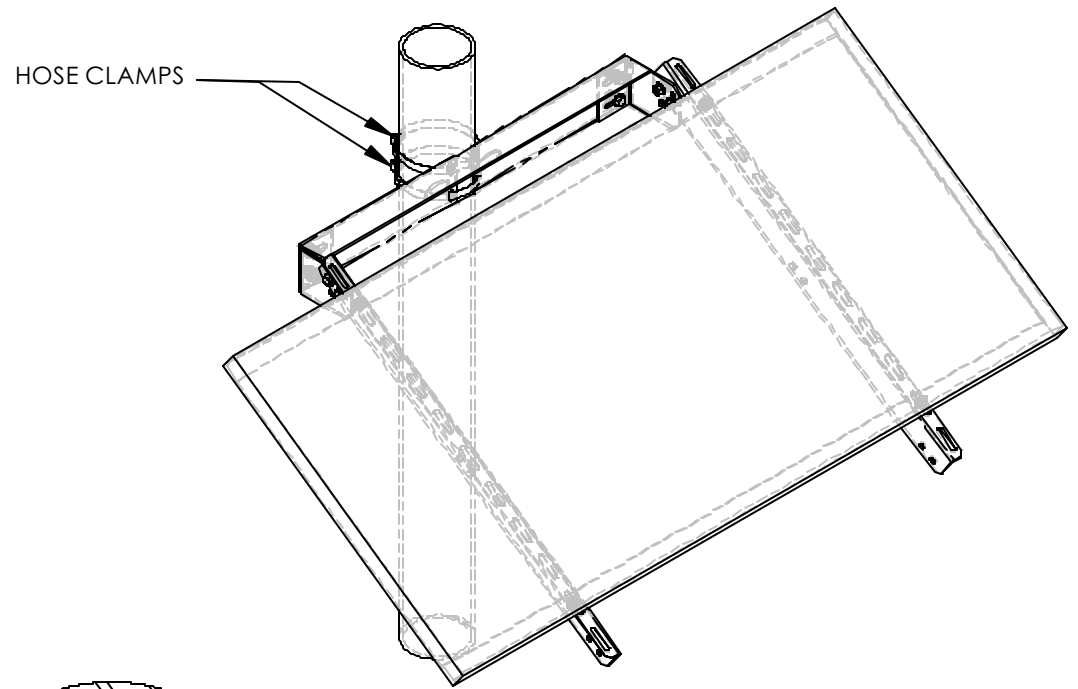


ITEM NO.	QTY.	PART NO.	DESCRIPTION
1	1	51-3517-200	Bucket, 25.5 SOP
3	2	27-5000-010	Clamp, hose 1.87" x 5.00"
4	1	51-3517-243	Clip, Left End
5	1	51-3517-244	Clip, Right End
6	2	51-0527-000	Rail, 27.5 SOP/TOP
7	2	29-5005-000	Kit, 5/16 x 3/4 (4) Set SS
	8	25-3102-000	Washer, flat 5/16" SS
	4	25-3101-000	Washer, lock 5/16" SS
	4	23-3118-021	Bolt, 5/16-18 x .75 SS
	4	24-3118-440	Nut, 5/16-18 fin hex SS
8	1	29-5000-000	Kit, Standard Module.
	4	23-2520-050	Bolt, 1/4-20 x .75 SS
	4	25-2502-000	Washer, flat 1/4 SS
	4	25-2501-000	Washer, lock 1/4"
	4	24-2520-440	Nut, 1/4-20 fin hex SS

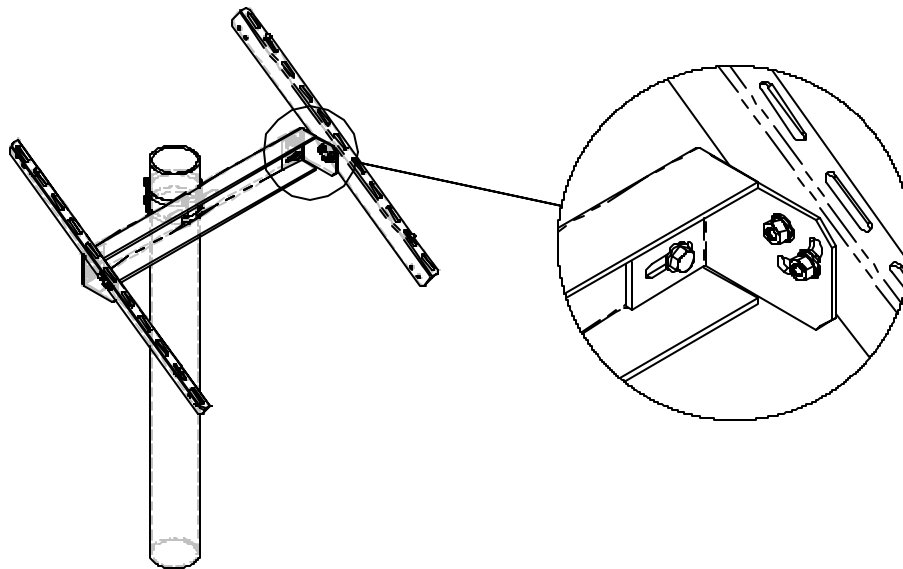
REVISIONS			
REV.	DESCRIPTION	DATE	APPROVED
A	Release for production	7-14-02	D.E.Dell'Ara
B	Revised with accurate BOM and hose clamps.	2-12-05	D.E.Dell'Ara



SIDE OF POLE MOUNTING OPTION

NOTES:

- 1) ITEMS 1 & 6 WILL VARY ACCORDING TO APPLICATION
- 2) A SPARES KIT (2 SEAS #29-5002-000) IS SHIPPED WITH THESE MOUNTS.



TOP OF POLE MOUNTING OPTION



296 Labrosse Ave., Pointe-Claire, QC, H9R 5L8
Toll Free 1 866 630-5630 www.matrixenergy.ca