

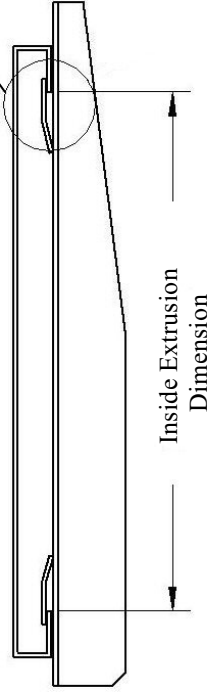
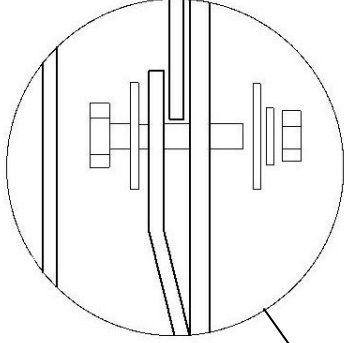


**MATRIX**  
ENERGY

296 Labrosse Ave., Pointe-Claire, QC, H9R 5L8  
Toll Free 1 866 630-5630 [www.matrixenergy.ca](http://www.matrixenergy.ca)

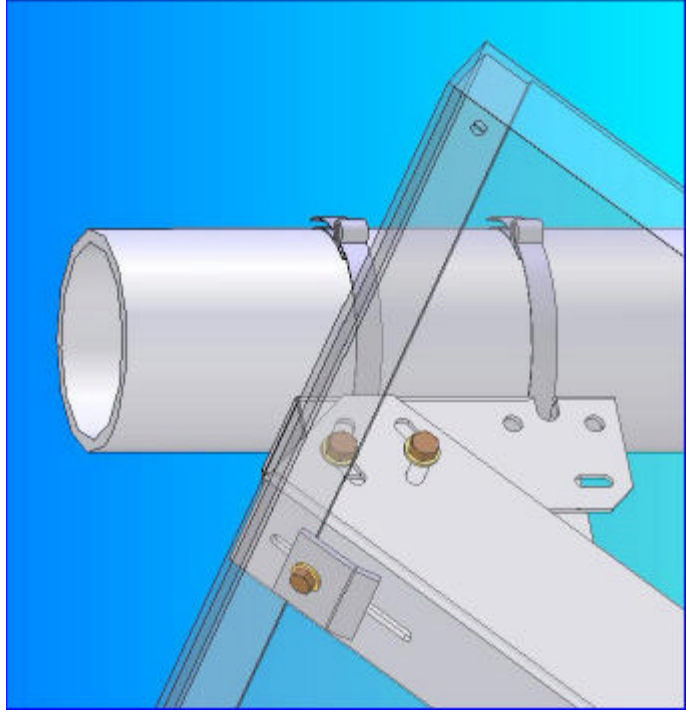


MODEL	Retail Price (\$)	Panel Support Length (in.)	Est Ship Wt.
<i>Single Arm Style SOP Mounts</i>			
UNI-SA/13.0	48.00	13.00	3 lbs
UNI-SA/21.5	52.00	21.50	5 lbs



Our unique module clamp and slot combination eliminates the need for bolt holes in the panel and allows use for a wider selection of solar panels.

Measure your panel's dimension as shown *inside* the extrusion, If this dimension is between 5.26" and 11.60" use the **UNI-SA/13.0**  
If this dimension is between 12.66" and 20.10" use the **UNI-SA/21.5**



1. Please specify make and model of module when ordering.
2. While we make every effort to keep our applications and pricing data up to date, this data is for **REFERENCE ONLY!** Two Seas Metalworks is not responsible for pricing, typographical or other errors and may cancel any orders resulting from such errors. Please contact us to verify pricing and application data. Prices and specifications subject to change without notice.