



JOB NAME: \_\_\_\_\_  
 DATE: \_\_\_\_\_  
 TYPE: \_\_\_\_\_

## DESCRIPTION

STEALTH Sensor for 12 volt AC/DC systems. Great for controlling low voltage lighting or security systems. 96 watt switching capacity.

## SPECIFICATIONS

### Advanced Detection Logic:

Minimizes false triggers

### Color Matched Lens:

Dark lens with bronze units, white lens with white units

### Floodlights:

Precision die cast aluminum. 1/2" NPS threaded arm with serrated locking swivel fits all standard mounting boxes and covers

### Horizontal Lock, No-tool Joints:

Keeps sensing pattern level for fast, error-free installation

### LED Detection Indicator:

Shows when sensor is detecting in daytime and glows red at night for "on-guard" deterrence

### Photoelectric Control:

Deactivates lights during daylight. Fully adjustable for 24 hour operation or custom applications

### Power Consumption:

1 watt

### RF Immunity:

Circuits fully shielded for maximum radio frequency immunity

### Surge Protection:

Withstands up to 6000 volts

### Temperature Compensation:

Sensitivity adjusts automatically for consistent detection in hot and cold ambient temperatures

### Time Adjustment:

5 seconds to 12 minutes

### UL Listing:

Suitable for wet locations

### Wall Switch Manual Override:

Two flip logic prevents activation by momentary power outages. Override resets to auto at dawn. No extra wiring needed

### Wide Sensitivity Control:

Adjustable from 100% to 30%

### Detection:

110° view

### Patents:

RAB sensor and fixture designs are protected under U.S. and International Intellectual Property laws.

### Voltage:

12 Volt AC/DC, 96 watts capacity

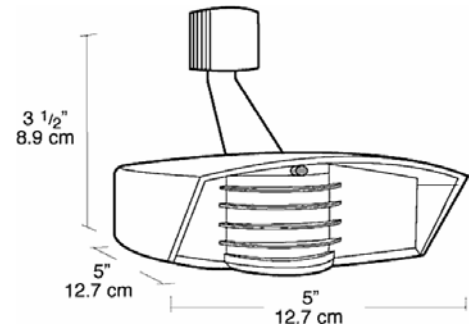
### Color:

Bronze

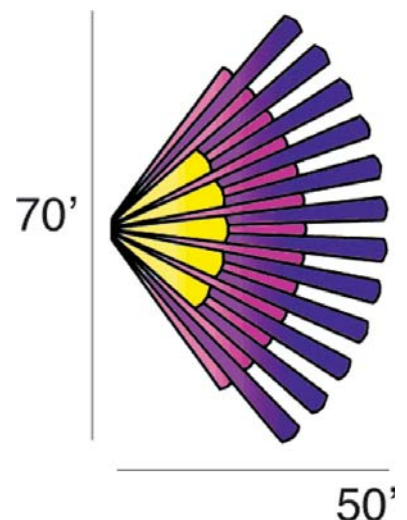
### Weight:

1.1

## DIMENSIONS



## DETECTION PATTERN



296 Labrosse Ave., Pointe-Claire, QC, H9R 5L8  
 Toll Free 1 866 630-5630 [www.matrixenergy.ca](http://www.matrixenergy.ca)