

Compact and complete, Matrix Energy's EPanels* offer a space efficient means of installing a code compliant single inverter system where space is a premium. Our panels include the following Standard features:

- Outback inverters - FX2012, FX2524, VFX2812/3648/3524, GTFX2524, GVFX3524
- Snap-in AC conduit
- DC Cover Inverter/Disconnect Cable
- MX60 Mounting Bracket
- PV Input Bus Bar
- AC & DC Ground
- 250 A Disconnect
- Six slots for din rail breakers
- 500 A, 50 mv shunt for battery status monitor (monitor extra)
- Wall mounting bracket
- cETL and cUL certified (Optional CSA approval)
- Left hand hinged door Cutouts for two GFCI outlets
 - all prewired, prelabelled connection within a MidniteSolar, grey powder coated steel box
 - all wood crated for safe, secure shipping anywhere



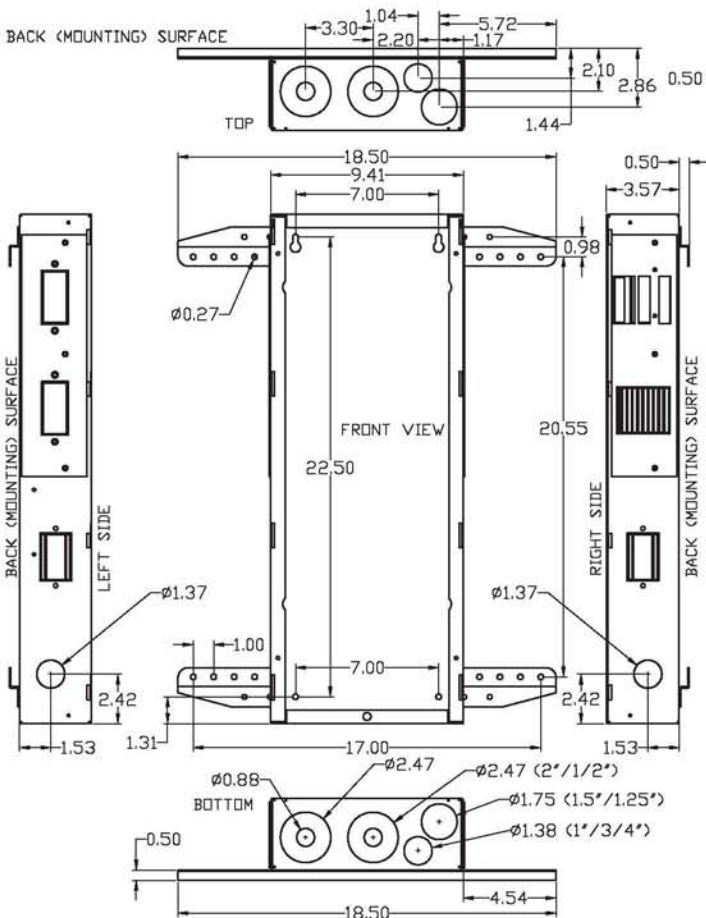
Overall Dimensions:

25" x 11.5" x 4"
25" x 11.5" x 16" (with inverter)

**The EPanel must be installed by a qualified electrician*

Please note: The shipping crate has been modified to hold 4 Group 31 batteries. Add an inch of insulation, on the inside and you will have a solid battery box! Do not throw away the shipping crate!

Part number	Description
08-49-007	2.0 KW, 12V OutBack E-Panel
08-49-008	2.5 KW, 24 V OutBack E-Panel
08-49-009	2.8 KW, 12 V OutBack E-Panel
08-49-010	3.6 KW, 48 V OutBack E-Panel
08-49-011	3.5 KW, 24 V OutBack E-Panel
08-49-012	2.5 KW, 24 V, OutBack G-T, E-Panel
08-49-013	3.5 KW, 24 V, OutBack E-Panel
Options	
03-49-008	CSA Approval
08-53-036	Mx-60 Charge Controller
08-53-042	Remote Temperature Sensor
03-11-001	Single Phase, 300 VAC Lightning Arrestor
03-11-002	Lightning Arrestor-DC



More options:

- Din rail breakers for PV, Wind or AC load
- Inverter cable

Consult your Matrix Energy representative for more details.