



DEEP CYCLE
SERIES: 4000
MODEL: 6 HHG 31P

BATTERY ENGINEERING
WWW.ROLLSBATTERY.COM MADE IN CANADA

BATTERY TYPE: 6 VOLTS

DIMENSIONS:

LENGTH 527 MM 20 3/4 INCHES
WIDTH 203 MM 8 INCHES
HEIGHT 302 MM 11 7/8 INCHES

WEIGHTS:

WEIGHT DRY 44 KG 96 LBS.
WEIGHT WET 57 KG 125 LBS.

CONTAINER CONSTRUCTION:

CONTAINER: (INNER) POLYPROPYLENE **TERMINALS:** FLAG WITH STAINLESS STEEL NUTS AND BOLTS
COVER: (INNER) POLYPROPYLENE - HEAT SEALED TO INNER CONTAINER
CONTAINER: (OUTER) HIGH DENSITY POLYETHYLENE **HANDLES:** MOLDED
COVER: (OUTER) HIGH DENSITY POLYETHYLENE SNAP FIT TO OUTER CONTAINER

PLATES:

POSITIVE PLATE DIMENSION:
HEIGHT 140 MM 5.500 INCHES
WIDTH 143 MM 5.625 INCHES
THICKNESS 3.43 MM 0.135 INCHES

CELLS: 3
PLATES/CELL: 31

NEGATIVE PLATE DIMENSION:
HEIGHT 140 MM 5.500 INCHES
WIDTH 137 MM 5.375 INCHES
THICKNESS 2.49 MM 0.098 INCHES

SEPARATOR:
THICKNESS 2 MM 0.081 INCHES
INSULATION:
GLASS MAT 1 MM 0.020 INCHES

CAPACITY:

CRANK AMPS:
COLD (CCA) 0°F / -17.8°C 1444
MARINE (MCA) 32°F / 0°C 1805

ELECTROLYTE RESERVE:
ABOVE PLATES 70 MM 2.75 INCHES
RESERVE CAPACITY:
RC @ 25A 696 MINUTES

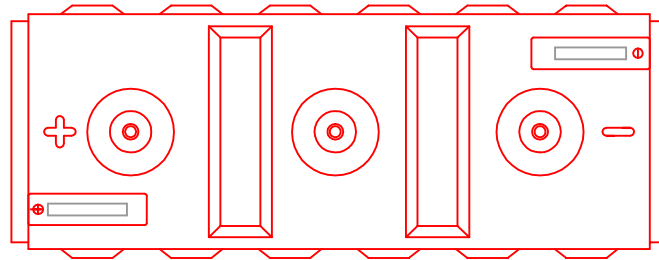
20 HR RATE: 344

	HOUR RATE	SPECIFIC GRAVITY	CAP / AH	CURRENT / AMPS
CAPACITY @	100 HOUR RATE	1.280 SP. GR.	458	4.58
CAPACITY @	72 HOUR RATE	1.280 SP. GR.	433	6.02
CAPACITY @	50 HOUR RATE	1.280 SP. GR.	409	8.19
CAPACITY @	24 HOUR RATE	1.280 SP. GR.	354	14.8
CAPACITY @	20 HOUR RATE	1.280 SP. GR.	344	17.2
CAPACITY @	15 HOUR RATE	1.280 SP. GR.	323	21.6
CAPACITY @	12 HOUR RATE	1.280 SP. GR.	306	25.5
CAPACITY @	10 HOUR RATE	1.280 SP. GR.	292	29.2
CAPACITY @	8 HOUR RATE	1.280 SP. GR.	275	34.4
CAPACITY @	6 HOUR RATE	1.280 SP. GR.	255	42.4
CAPACITY @	5 HOUR RATE	1.280 SP. GR.	241	48
CAPACITY @	4 HOUR RATE	1.280 SP. GR.	224	56
CAPACITY @	3 HOUR RATE	1.280 SP. GR.	203	68
CAPACITY @	2 HOUR RATE	1.280 SP. GR.	175	88
CAPACITY @	1 HOUR RATE	1.280 SP. GR.	124	124



296 Labrosse Avenue, Pointe-Claire, QC, H9R 5L8, Canada
 Phone: (514) 630-5630 Fax: (514) 426-9123
 Toll Free: 1-866-630-5630 email: info@matrixenergy.ca
 For more information visit www.matrixenergy.ca





PART NUMBER: 6-HHG-31P

WEIGHT WET: 125 LB / 57 KG

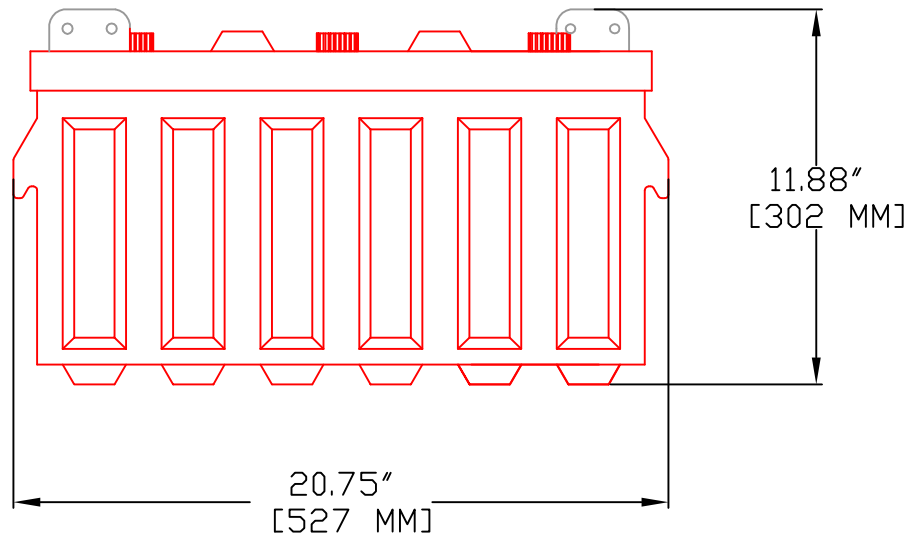
WEIGHT DRY: 96 LB / 44 KG

CAPACITY: 344 AH 20 HR

VOLTAGE: 6 V

OVERALL DIMENSIONS: 20³/₈" x 8" x 11⁷/₈"


 MAX HEIGHT WITH OPTIONAL HYDROCAPS: 12.43" / 316 MM



TITLE: 6HHG31P

DESCRIPTION: 6V DEEP CYCLE 400/4000 SERIES

CONTACT INFO:
 WEB: WWW.SURRETTE.COM
 E-MAIL: SALES@SURRETTE.COM
 PHONE: 1-800-681-9914

SCALE: 1" = 6" 1" = 4" JPEG:
 8.5" X 11" 11" X 17" NOT TO SCALE

Drawn by: S. WILES Approved By: D. SURRETTE

DATE: JAN-2010 REVISION 2

DRAWING NO.: DWG 032, BD6HHG31P