



Auto Gen Start

For use with RV, marine, and standby generators



Charge your batteries and keep your coach cool while you're away with the AGS.

Imagine being able to enjoy a day away golfing, touring, or sight seeing, all-the-while knowing your coach will stay cool and comfortable and your batteries will stay charged and ready for all of the activities that make up daily living. There's nothing better than returning to a nice, cool comfortable coach with charged batteries while dry camping in hot weather.

You can come home to a comfortable coach with the Magnum Auto Gen Start (AGS).

The Magnum AGS is compatible with most major generators, including Onan, Powertech, Generac, and Weterbeke. Please check with your Magnum dealer for specific model compatibility.

Automatically start your generator: The Magnum Auto Gen Start (AGS) is designed to automatically start your coach generator based on low battery condition or the inside temperature of the coach.

Adjust the AGS to meet your needs: With the AGS, you can set the battery start voltage from 10-12 VDC or 20-22 VDC, the start temperature from 65° - 85°F, the run time from one to five hours, and the quiet time with an easy-to-set clock.

Manual start and stop: Auto Gen Start settings do not interfere with the manual start / stop operation of the generator. Just use any existing start / stop switch in your coach.

Two models are available: The stand alone version of the AGS works well for installation and operation without an inverter. The network version of the AGS allows operation of the AGS via the ME Series remote panel.



The stand alone Auto Gen Start (ME-AGS-S) operates with the Magnum wall switch.



The network Auto Gen Start (ME-AGS) works with the ME Series remote panel.

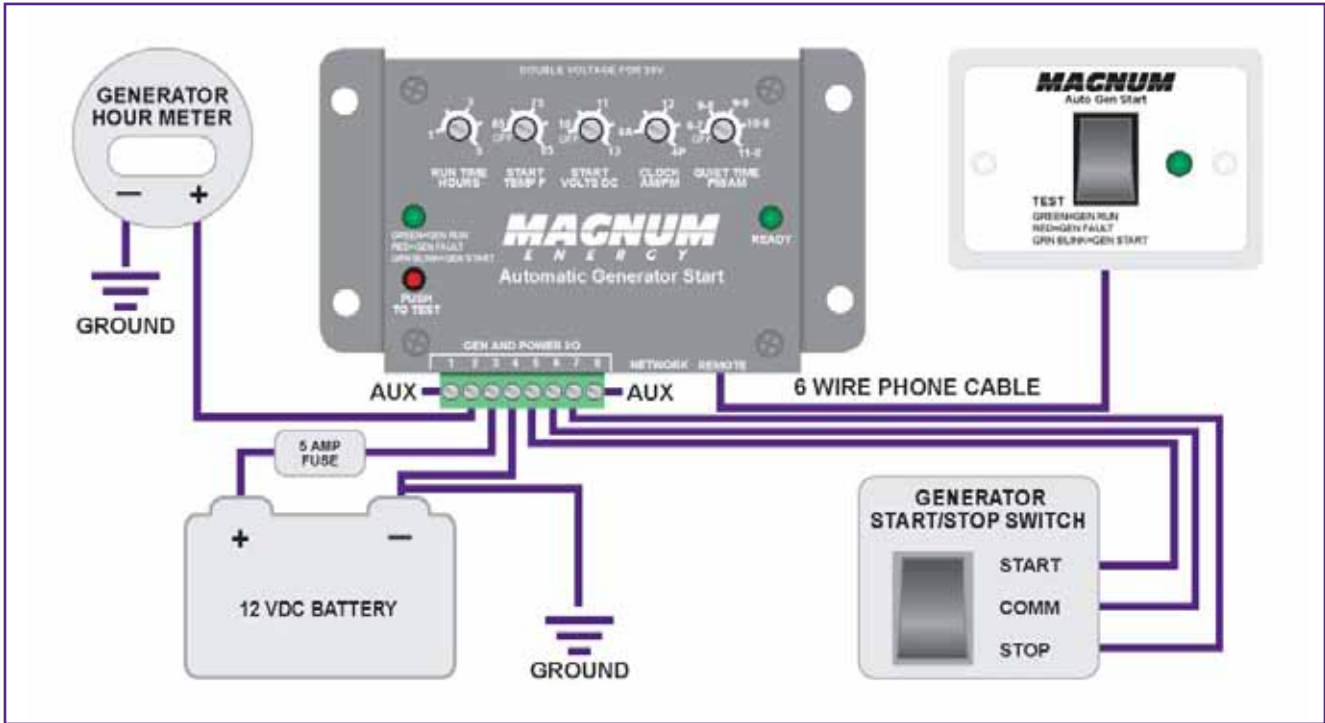
Specifications

Automatic Generator Start Features

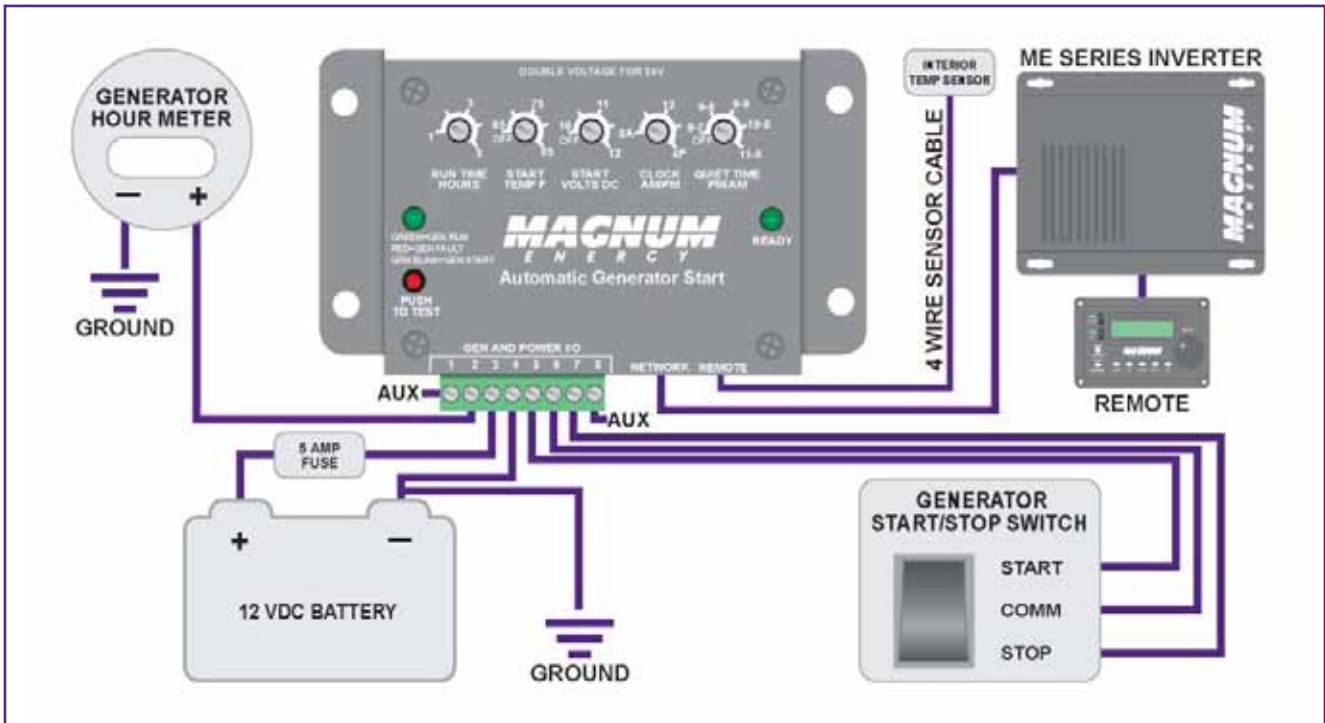
Selectable cabin temperature for genstart	65-85 °F
Selectable battery voltage for genstart	10-12 VDC or 20-22 VDC
Selectable generator run time	1-5 hours
Selectable quiet time	5 choices: 9 pm - 7 am, 9 pm - 8 am, 9 pm - 9 am, 10 pm - 8 am, 11 pm - 8 am
Clock	Adjustable 24-hour clock

The Powerful Difference

AGS Wiring Diagram for Stand Alone Systems (ME-AGS-S)



AGS Wiring Diagram for Networked Systems (ME-AGS)



Magnum Energy, Inc.
1111 80th Street SW, Suite 250
Everett, Washington 98203 USA

Phone: 425-353-8833
Fax: 425-353-8390
Web: www.magnumenergy.com

Testing for specifications at 25° C
Specifications subject to change without notice.
November 2004, Rev A

ÉNERGIE
MATRIX
ENERGY



The Powerful Difference

296 Labrosse Avenue, Pointe-Claire, QC, Canada, H9R 5L8
Tel: (514) 630-5630 Toll Free: 1-866-630-5630 Fax: (514) 426-9123
info@matrixenergy.ca www.matrixenergy.ca